



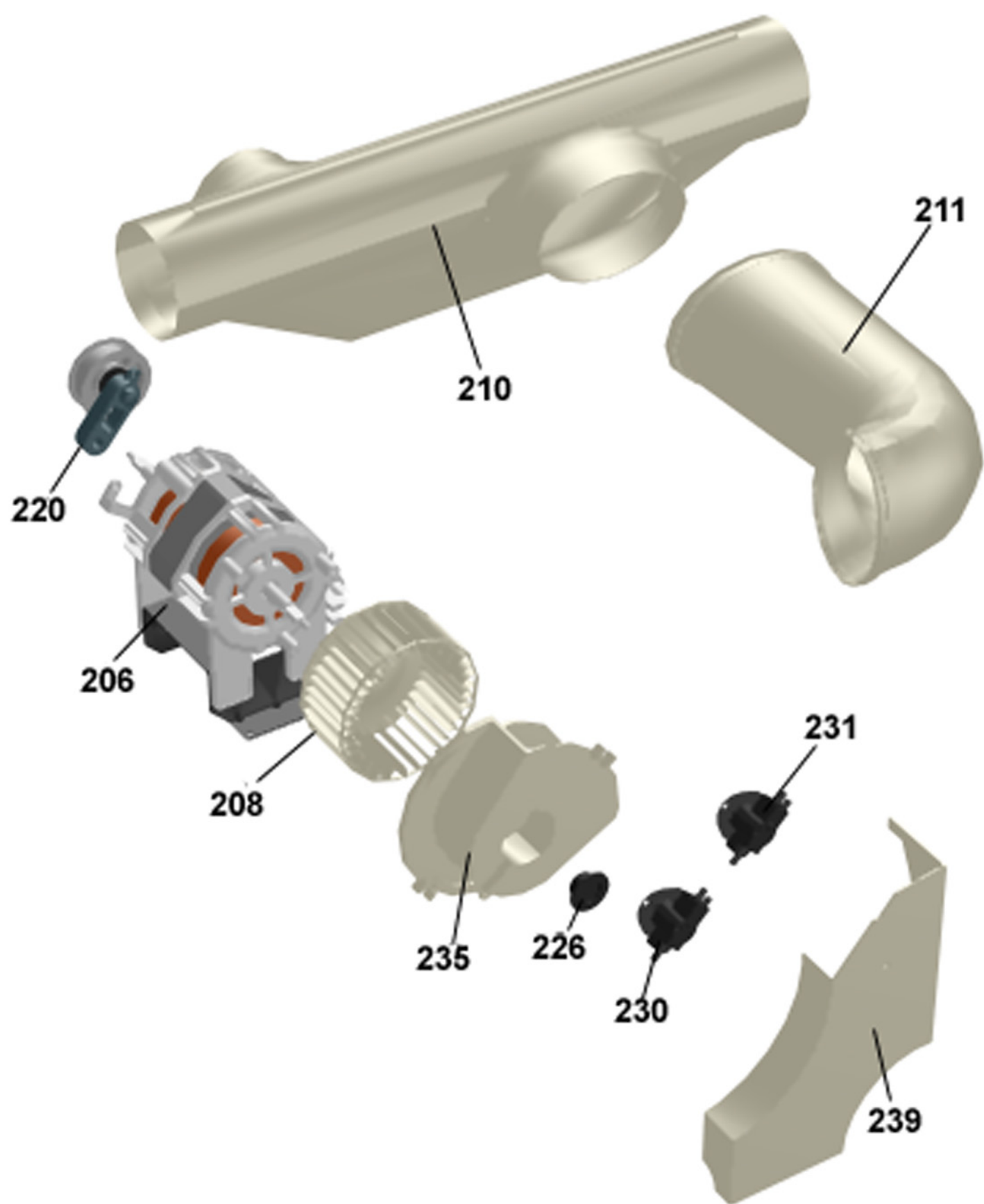
Spare Parts Catalogue

Dryers \ 700 Series
Type: TD11US
Model: T701 US Bisque

Prod. No: 10770115
December 22nd 2004

AM Appliances Group

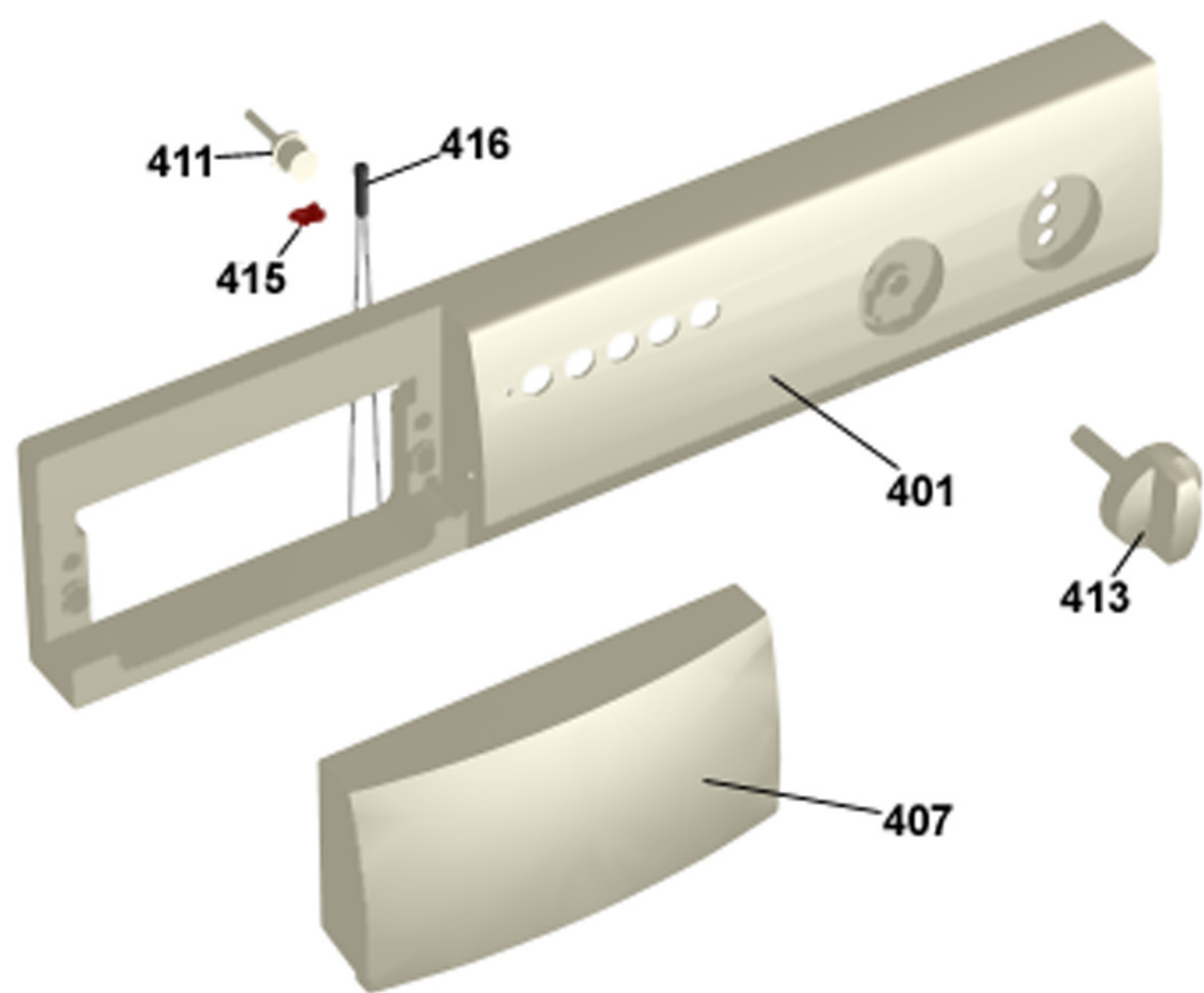
P.O. Box 851805 • Richardson • TX 75085-1805
789 N. Grove Road • Suite 103 • Richardson • TX 75081



Lower session

ASKO, T701 US - Bisque (TD11US)

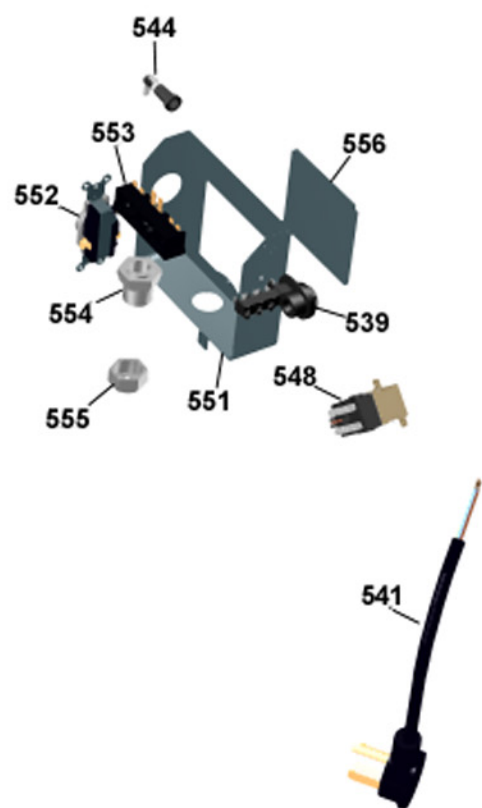
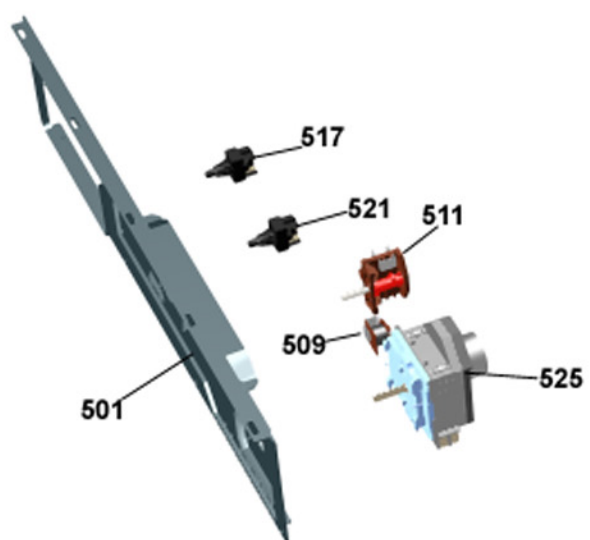
Pos	Spare part No.	Description	Qty	Comment
206	8061895	MOTOR COMPL 60HZ TD20	1 Pcs	
206-a	8901969	SCREW MRT-TT 5x12 FZB T20	4 Pcs	
208	8055200	FAN IMPELLER INT	1 Pcs	
208-a	8901192	NUT LOCKING 6 BH8 GALV	1 Pcs	
210	8052638	EXHAUSTCANAL T-TUBE UL4	1 Pcs	
211	8052639	EXHAUSTCANAL BEND UL4	1 Pcs	
220	8801058	TENSION ARM Replby 8801214	1 Pcs	
226	8061949	PLUG FAN HOUSE TD20	1 Pcs	
228	33700183	TERMINAL ESPA	1 Pcs	
228-a	8901097	SCREW MRT-TT 4X12 FZB T20	1 Pcs	
228-b	8901413	LOCK WASHER AZ 43 GALV	1 Pcs	
230	8001444	THERMOSTAT 263 223 47/35C	1 Pcs	
230-a	8902042	SCREW PTK 35X10 WN1452 FZB T10	1 Pcs	
231	8001543	THERMOSTAT 263175 51 60/49 C	1 Pcs	
231-a	8902042	SCREW PTK 35X10 WN1452 FZB T10	1 Pcs	
235	8061899	FAN CASING LID TD20 UL4	1 Pcs	
235-a	8902042	SCREW PTK 35X10 WN1452 FZB T10	2 Pcs	
239	8061942	GUARD FAN CASING TD20	1 Pcs	
239-a	8902042	SCREW PTK 35X10 WN1452 FZB T10	1 Pcs	
242	8064184	SEALING COVER FAN HOUSE	1 Pcs	



Control panel

ASKO, T701 US - Bisque (TD11US)

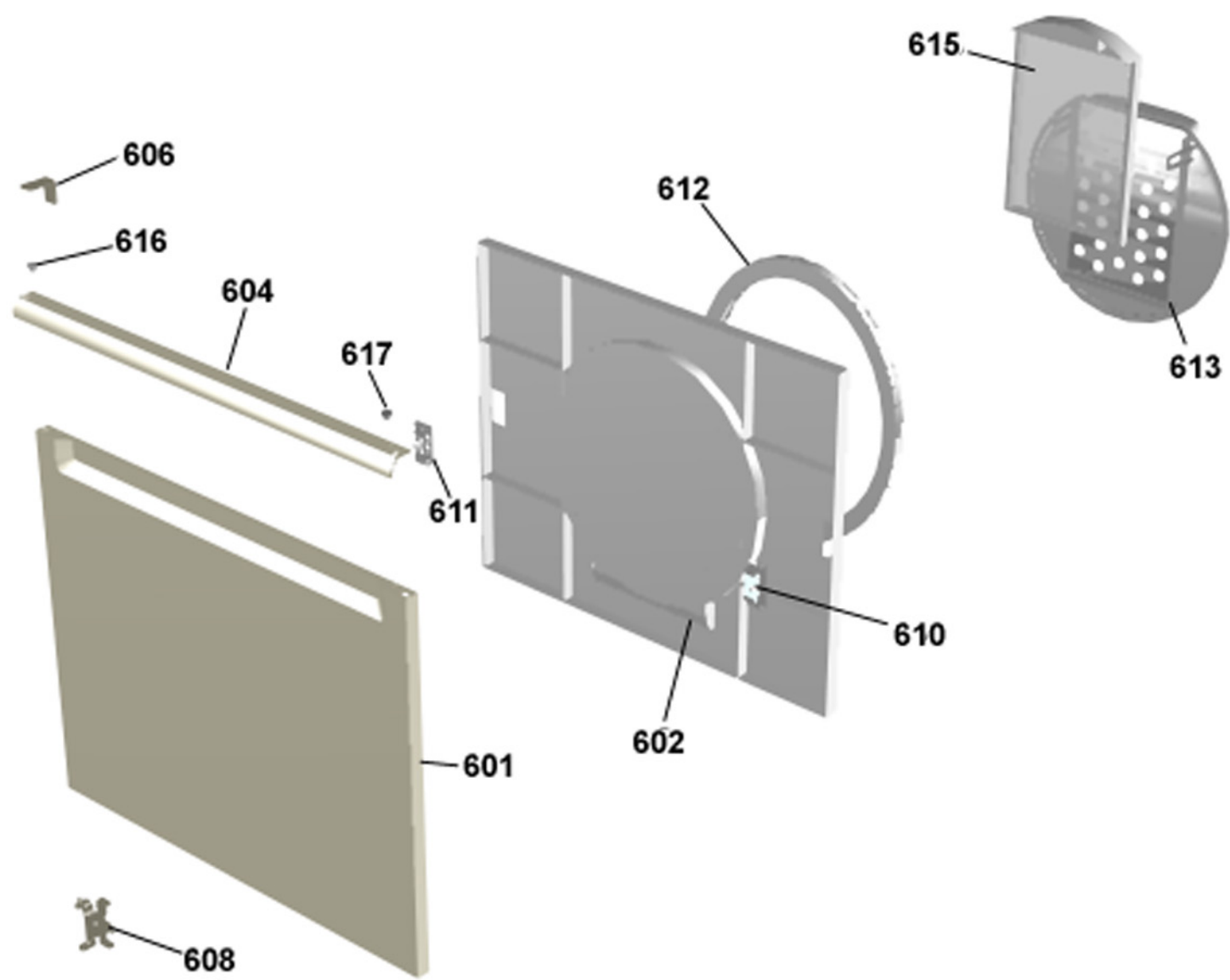
Pos	Spare part No.	Description	Qty	Comment
401	8065735-69-UL	PANEL WHANDLE T701 ASKO US	1 Pcs	
401-a	8901591	BINDING CLIP SCO 5740	4 Pcs	
403	8064945	LABEL PROGINFO TD11 EUROPE	1 Pcs	
407	8061846-69-UL	HANDLE PANEL MECH WMD20	0 Pcs	
411	8061711-69	PUSH BUTTON WMD20	5 Pcs	
413	8061892-69	KNOB TEMP/TIMER WCLIPS WMD20	2 Pcs	
415	8061822	DECOR LENS	1 Pcs	
416	8060478	INDLAMP (UL-RECONICED) UL4	1 Pcs	
490	8065662	INSTRUCT TD21 ENGLISH US/CA	1 Pcs	
490	8065663	INSTRUCTIONS TD21 FRENCH US/CA	1 Pcs	
490	8065664	INSTRUCT TD21 SPANISH US/CA	1 Pcs	



Upper session

ASKO, T701 US - Bisque (TD11US)

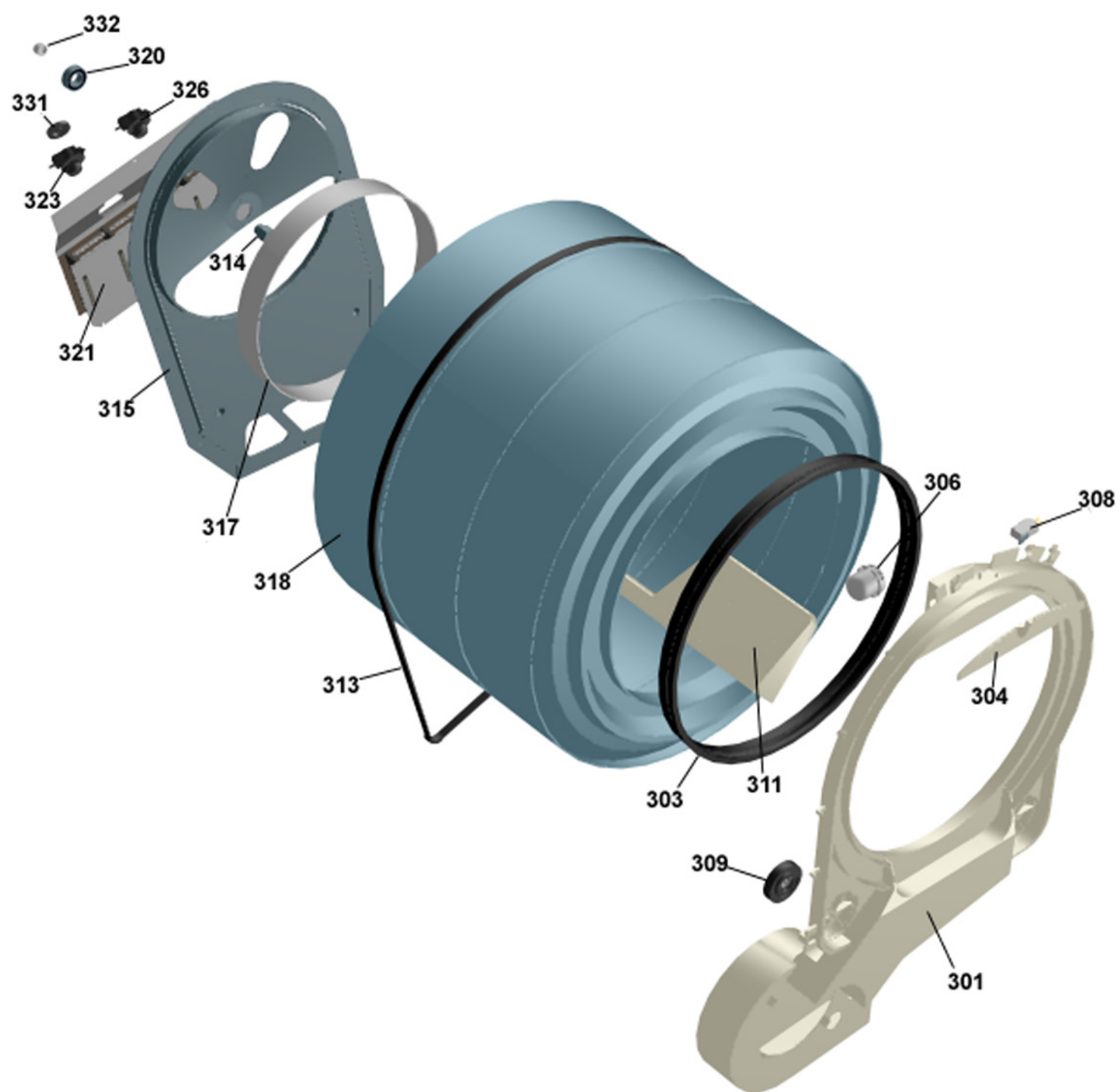
Pos	Spare part No.	Description	Qty	Comment
501	8061690	BEAM FRONT WMD20	1 Pcs	
501-a	8900338	SCREW RTK ST 42X95 FZB T20	2 Pcs	
501-b	8901413	LOCK WASHER AZ 43 GALV	2 Pcs	
501-c	8902087	SCREW PTK 40X14 WN1452 FZB T20	2 Pcs	
509	8061883	BUZZER TD20 UL4	1 Pcs	
509-a	8901097	SCREW MRT-TT 4X12 FZB T20	1 Pcs	
511	8061931	ROTARY SWITCH TD11/22	1 Pcs	
511-a	8901097	SCREW MRT-TT 4X12 FZB T20	2 Pcs	
517	8061875	PUSHBUTTONSW 2-POLE CLOS	4 Pcs	
521	8061877	PUSHBUTTON SWITCH 2-POL	1 Pcs	
525	8061839	TIMER TD11	1 Pcs	
529	8086700-1	BASIC HARNESS TD11	1 Pcs	
539	8061660	TERMINAL BLOCK 5-POLE	1 Pcs	
539-a	8901097	SCREW MRT-TT 4X12 FZB T20	1 Pcs	
544	8065573	FUSE HOLDER GREY 15A US/CA	2 Pcs	
544-a	8058140	FUSE 15AT 63X32	2 Pcs	
544-b	8055725	FUSE HOLDER INSERT STI	2 Pcs	
544-c	8054613	FUSE HOLDER HTB38	2 Pcs	
548	8064179	CONTACTOR 4S 50/60HZ	1 Pcs	
551	8901097	SCREW MRT-TT 4X12 FZB T20	1 Pcs	
551-a	8065734	EL. BOX USA TD21	1 Pcs	
552	8061033	RECEPTACLE 2-POL 3-WIRE 20/250	1 Pcs	
553	8061891	TERMINAL BLOCK DRYER US	1 Pcs	
554	8060462	GROMMET PG21	1 Pcs	
555	8060463	LOCK NUT PG21	1 Pcs	
556	8063756	LID ELBOX USA	1 Pcs	
556-a	8901097	SCREW MRT-TT 4X12 FZB T20	1 Pcs	



Outer door

ASKO, T701 US - Bisque (TD11US)

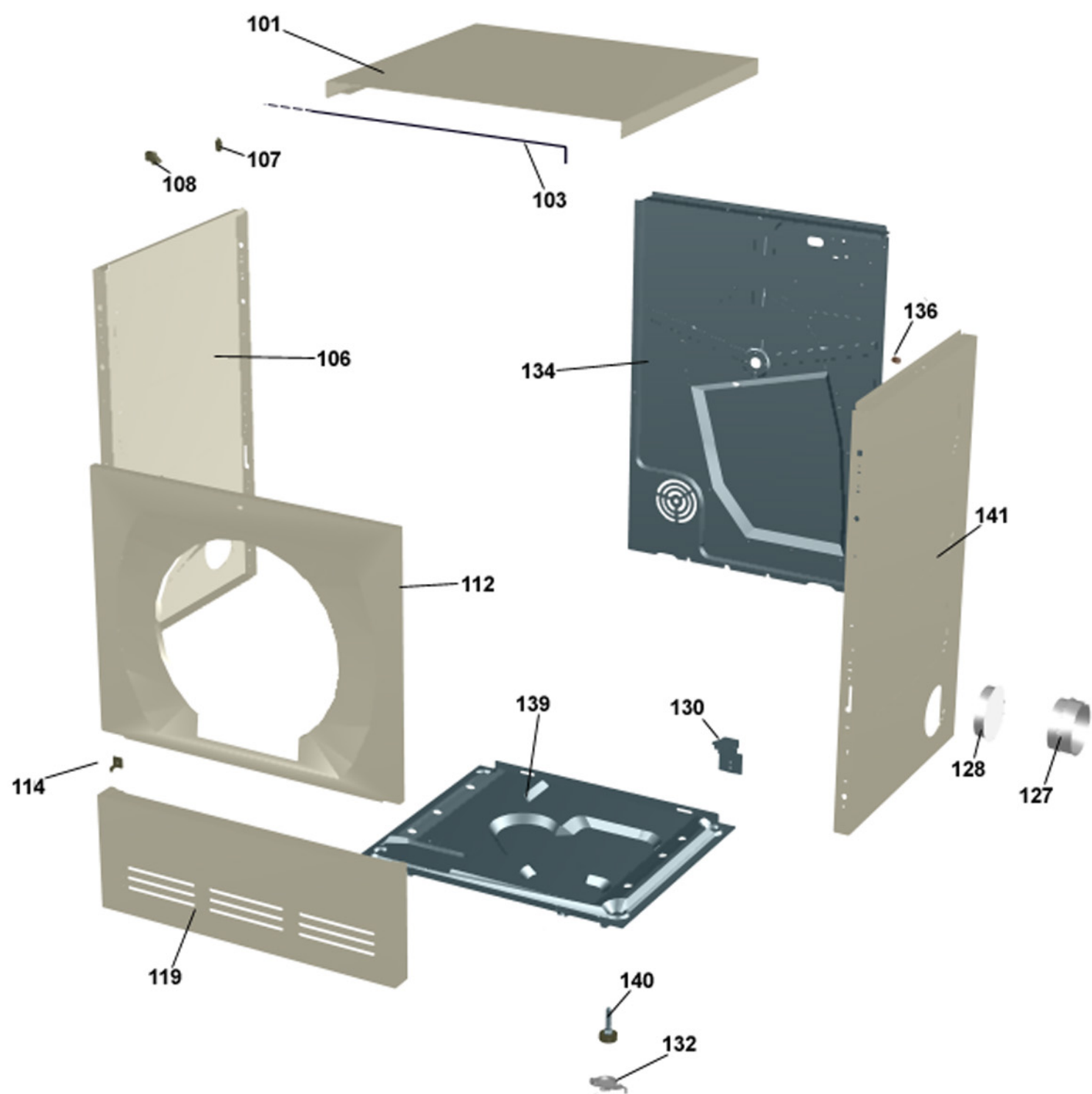
Pos	Spare part No.	Description	Qty	Comment
601	8061733-84	DOOR OUTER PART BISQUE	1 Pcs	
602	8061810	DOOR INNER	1 Pcs	
602-a	8902068	SCREW PTK 40X14 WN1453 PF FZB	5 Pcs	
604	8061813-86	HANDLE DOOR BLACK	1 Pcs	
606	8061805-86	HINGE UPPER BLACK	1 Pcs	
608	8061807-84	HINGE LOWER COMPL BISQUE	1 Pcs	
608-a	8900338	SCREW RTK ST 42X95 FZB T20	2 Pcs	
608-b	8901097	SCREW MRT-TT 4X12 FZB T20	1 Pcs	
610	8061878	MAGNET LOCK COMPL	1 Pcs	
611	8061886	HOLDER MAGNET LOCK TD20	0 Pcs	
612	8061815	DOOR SEAL OUTER	1 Pcs	
613	8061811	Repl by 8065840	1 Pcs	
615	8061812	DOUBLE FLUFF FILTER	1 Pcs	
616	8061865-0	HINGE BEARING WHITE TD20	1 Pcs	
616	8061865-33	HINGE BEARING BLACK TD20	1 Pcs	
617	8061953-33	PLUG DOOR BLACK TD20	1 Pcs	



Cylinder and related parts

ASKO, T701 US - Bisque (TD11US)

Pos	Spare part No.	Description	Qty	Comment
301	8801216	FRONT FRAME COMPL TD20/21	1 Pcs	
301-a	8902066	SCREW A2-PTK 35X14 WN1453 PF	4 Pcs	
303	8061821	FELT SEAL FRONT	1 Pcs	
304	8061932-49	LAMP HOUSING LID GREY UL4	1 Pcs	
306	8061887	LAMP CHIMNEY ULTEM TD20 UL4	1 Pcs	
308	8053107	MICROSWITCH DOOR	1 Pcs	
309	8052622	SUPPORT ROLLER COMPLETE	1 Pcs	
311	8052589	PADDLETT	2 Pcs	
311-a	8902099	SCREW PTK 50X14 WN1452 FZB T20	5 Pcs	
313	8065710	DRIVEBELT 7PH 1970 AS5B AIRBAG	1 Pcs	
314	8052632	BEARING BUSH	1 Pcs	
315	8061851	REAR PANEL INNER TD20	1 Pcs	
315-a	8900369	SCREW RTS 48X13 FZB T25	13 Pcs	
317	8064440	FELTSEALING REAR	1 Pcs	
318	8061800	CYLINDER COMPL TD20	1 Pcs	
320	8004439	BALL BEARING SKF 6202-2Z/C3Q66	1 Pcs	
321	8063808	HEATING ELEMENT 2500W UL4	1 Pcs	
321-a	8900369	SCREW RTS 48X13 FZB T25	2 Pcs	
323	8008487	THERMOSTAT 26237430 150C	1 Pcs	
323-a	8900369	SCREW RTS 48X13 FZB T25	1 Pcs	
326	8008807	THERMOSTAT 115 DEGREES	1 Pcs	
326-a	8900369	SCREW RTS 48X13 FZB T25	1 Pcs	
331	8052650	DIAPHRAGM OVERHEATPROTECTOR	1 Pcs	
332	8064151	CAP OF BOLT	1 Pcs	

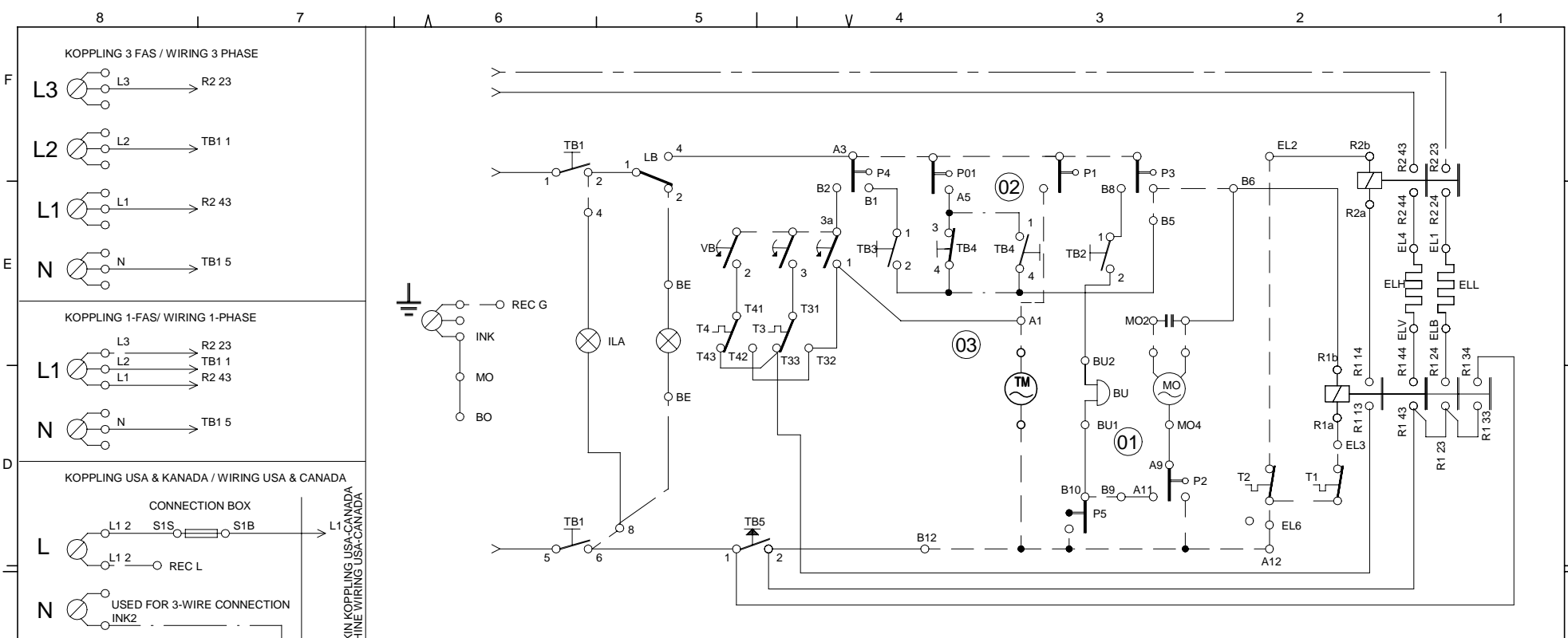


Outer casing

ASKO, T701 US - Bisque (TD11US)

Pos	Spare part No.	Description	Qty	Comment
101	8061817-84	TOP COVER BISQUE	1 Pcs	
101-a	8900338	SCREW RTK ST 42X95 FZB T20	3 Pcs	
101-b	8901413	LOCK WASHER AZ 43 GALV	2 Pcs	
103	8064062	STRIP TOP COVER WMD20 UL4	1 Pcs	
106	8801175-84	SIDE PLATE COMPLLEFT TD20 EXH	1 Pcs	
107	8061763	GUIDE FRONT PLATE/TOP COVER	2 Pcs	
108	8061916	CABLE HOLDER WMD20 UL4	3 Pcs	
112	8061847-84	FRONT PLATE TD20 BISQUE	1 Pcs	
112-a	8900338	SCREW RTK ST 42X95 FZB T20	2 Pcs	
112-b	8901413	LOCK WASHER AZ 43 GALV	2 Pcs	
114	8064177	HOOK LOWER PANEL UL4	2 Pcs	
114-a	8900338	SCREW RTK ST 42X95 FZB T20	2 Pcs	
119	8801247-84	LOWER COVER COMPL.W.CLIPS TD20	1 Pcs	
127	8052641	STUB EXHAUSTCANAL UL4	1 Pcs	
128	8052640-33-UL	LID EXHAUST CANAL BLACK UL4	2 Pcs	
130	8053980	TIP GUARD SURFACE CONDITIONED	2 Pcs	
132	8064114	CUP SELF ADHESIVEIN BAG(2pcs)	1 Pcs	
134	8064196	REAR PANEL OUTER PUNCHED	1 Pcs	
134-a	8900338	SCREW RTK ST 42X95 FZB T20	10 Pcs	
136	8061915	CABLE HOLDER TD20	1 Pcs	
139	8061618	BOTTOM WMD20	1 Pcs	
140	8059334	RUBBER FOOT D35xM10 INC NUT	4 Pcs	
141	8801176-84	SIDE PLATE COMPLRIGHT TD20EXH	1 Pcs	

S:\U\Wm2011_Tryckunderlag\Kopplingschema\8061835 TD11\8061835 TD11-02.dft , läpe , 8/30/01 9:49:32 AM



STEP NR.	START POSITION	5	10	15	20	25	30	35	40	45	50	55	60
01	COOLING 18 NEDKYLNING 18												
1	COOLING 9 NEDKYLNING 9												
2	MOTOR MOTOR												
3	MOTOR DIRECT MOTOR DIREKT												
4	BUZZER SUMMER												
	START RELAY START RELÄ												
	HEATER RELAY ELEMENT RELÄ												
	ANTICREASE INTERVALLGÅNG												
STEP TIME	STEG TID	1.5	1.5	3	T+3	T+3	T+3	T+3	T+3	3	3	1.5	1.5
5	BUZZER SUMMER	RAPID CAM SNABB KAM 3 SECONDS ON 57 SECONDS OFF 3 SEKUNDER TILL 57 SEKUNDER FRÅN											

This document must not be copied without our written permission, and the contents may not be used for any unauthorized purpose. Askö Cylinda AB

- BO: BOTTOM BOTTEN
- MO: MOTOR
- R: RELÄ
- ELL: VÄRMEELEMENT, LÅG EFFEKT
- ELH: VÄRMEELEMENT, HÖG EFFEKT
- TM: TIMER MOTOR
- LB: DOOR SWITCH LUCKBRYTARE
- T1: THERMOSTAT (MAN O.H.)
- T2: THERMOSTAT (AUT O.H.)
- T3: THERMOSTAT (HIGH)
- T4: THERMOSTAT (LOW)
- BE: INTERNAL ILLUMINATION
- TB: TRYCKBRYTARE
- ILA: INDIKERINGSLAMPA
- REC: OUTLET WASHING-MACHINE
- INKB: MAIN TERMINAL BLOCK
- INTERNAL CONNECTION
- INTERN KOPPLING
- ALTERNATIVE WIRING
- ALTERNATIV KOPPLING

03	Changed number on TB 42 to TB 44	PS	01	41
02	Changed function TB 4	SS	01	33
01	LB2-LB4 and BU1-BU2 changed, JS added	PS	99	26
Rev ind	Revision	Appd	Year	Week

Pos.	Qty	Part No.	Name of item	Material
Material		Dens.Kg/dm3	Dimensions, Type, etc.	
Scale		Gen.tolerance	Description(ENG)	
Designed by		Gen.tol.Angle	CIRCUIT DIAGRAM TD11	
Released by		Iss by	Dept	Year
		UT	98	05
		Week	Description(SE)	
		05	KOPPLINGSSCHEMA TD11	
		ASKO CYLINDA		Rev Ind
		80 618 35		03
		Replace		8061835 rev:02
		Project		